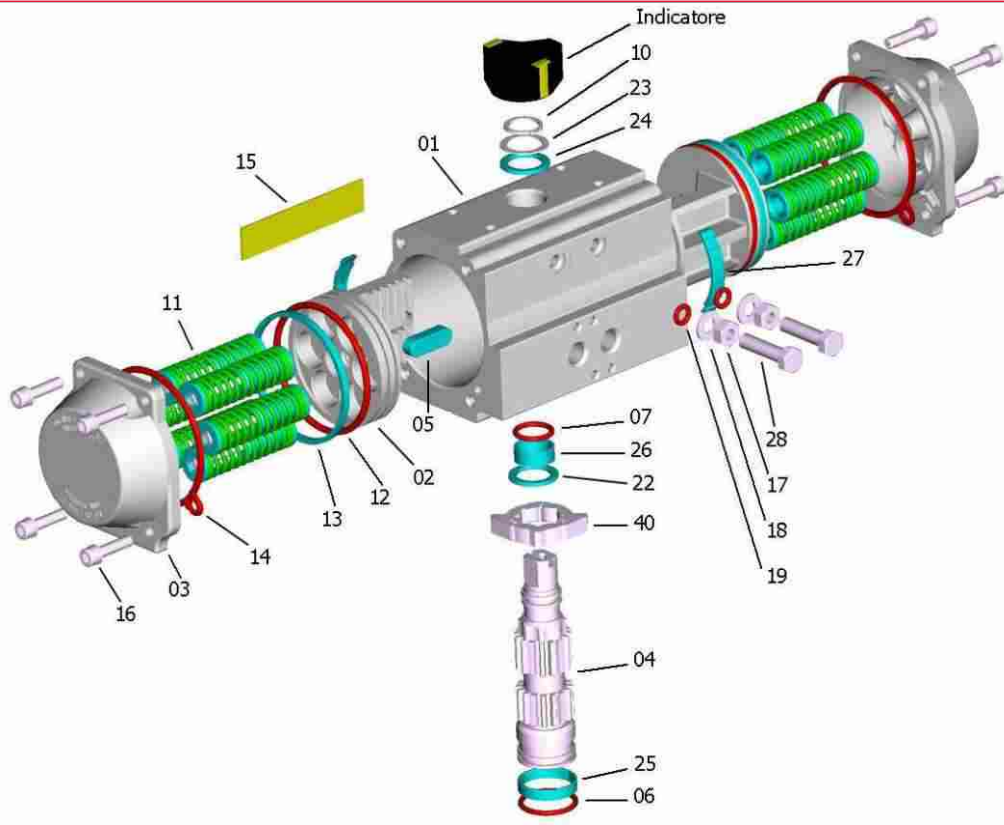


CONSTRUCTION PARTS – SPECIFICATIONS



| PART | QUANTITY | DESCRIPTION | MATERIAL | SPECIFICATION | PROTECTION |
|------|----------|---------------------------|---|--|------------|
| 1 | 1 | Body | Extruded aluminium alloy | ASTM 6063 T6 | A - N - TF |
| 2 | 2 | Piston | Aluminium alloy | EN AB 46100 | A |
| 3 | 2 | Cover | Aluminium alloy | EN AB 46100 | N - V - TF |
| 4 | 1 | Shaft | Carbon steel <i>optional Stainless Steel</i> | ASTM A105 <i>AISI 316 (A4)</i> | N |
| 5 * | 2 | Antiejection key | Acetalic resin – PA66 – PA66 | | |
| 6 * | 1 | Lower shaft O-Ring | NBR - FPMFKM - <i>Silicone</i> | | |
| 7 * | 1 | Upper shaft O-Ring | NBR - FPMFKM - <i>Silicone</i> | | |
| 10 * | 1 | Seeger ring | Carbon steel | | N |
| 11 | 0-12 | Spring cartridge | Carbon steel, PA 66, S.S. | C-98 | V |
| 12 * | 2 | Piston O-Ring | NBR - FPMFKM - <i>Silicone</i> | | |
| 13 * | 2 | Piston head bearing | Acetalic resin – PA66 – PA66 | | |
| 14 * | 2 | Cover gasket | NBR - FPMFKM - <i>Silicone</i> | | |
| 15 | 1 | Nameplate | Aluminium | | |
| 16 | 4+4 | Cover fastening screw | Stainless Steel | AISI 304 (A2) | |
| 17 | 2 | Nut | Stainless Steel | AISI 304 (A2) | |
| 18 | 2 | Washer | Stainless Steel | AISI 304 (A2) | |
| 19 * | 2 | O-Ring | NBR - FPMFKM - <i>Silicone</i> | | |
| 22 * | 1 | Gear antifriction washer | Acetalic resin – PA66 – PA66 | | |
| 23 * | 1 | Shaft thrust washer | Stainless Steel | AISI 304 (A2) | |
| 24 * | 1 | Shaft antifriction washer | Acetalic resin – PA66 – PA66 | | |
| 25 * | 1 | Lower shaft pilot ring | Acetalic resin – PA66 – PA66 | | |
| 26 * | 1 | Upper shaft pilot ring | Acetalic resin – PA66 – PA66 | | |
| 27 * | 2-4 | Piston bearing | Acetalic resin – PA66 – PA66 | | |
| 28 | 2 | Piston screw | Stainless Steel | AISI 304 (A2) | |
| 40 | 1 | External adjusting gear | Stainless Steel | AISI 316 (A4) | |

*** SPARE PARTS SET:** **Standard** **Special HIGH Temperatures** **Special LOW Temperatures**

Protections

A = Anodizing N = chemical Nickel-plating V = Painting TF = Anodizing+PTFE

DA032G, DA050G, DA063G, DA075G, DA085G, DA100G, DA115G, DA125G, DA145G, DA160G, DA180G, DA200G, DA240G, DA270G, DA330G, DR420G, SR032G, SR050G, SR063G, SR075G, SR085G, SR100G, SR115G, SR125G, SR145G, SR160G, SR180G, SR200G, SR240G, SR270G, SR330G, SR420G DA051G, DA064G, DG076G, DA086G, DA101G, DA116G, DA126G, DA146G, DA161G, DA181G, DA201G, DA241G, DA271G, DA331G, DR421G, SR051G, SR064G, SR076G, SR086G, SR101G, SR116G, SR126G, SR146G, SR161G, SR181G, SR201G, SR2401, SR271G, SR331G, SR421G
DA032 F03 Q09, DA050 F03/05 Q11, DA063 F05/07 Q14, DA075 F05/07 Q17, DA085 F07/07 Q17, DA100 F07/010 Q22, DA115 F07/10 Q22, DA125 F07/10 Q27, DA145 F10/12 Q27, DA160 F10/12 Q27, DA180 F10/12 Q36, DA200 F10/12 Q36, DA240 F14 Q46, DA270 F16 Q46, DA330 F16/25 Q55, DA420 F25 Q55, SR032 F03 Q09, SR050 F03/05 Q11, SR063 F05/07 Q14, SR075 F05/07 Q17, SR085 F07/07 Q17, SR100 F07/010 Q22, SR115 F07/10 Q22, SR125 F07/10 Q27, SR145 F10/12 Q27, SR160 F10/12 Q27, SR180 F10/12 Q36, SR200 F10/12 Q36, SR240 F14 Q46, SR270 F16 Q46, SR330 F16/25 Q55, SR420 F25 Q55, DA033 F03 Q09, DA051 F03/05 Q11, DA064 F05/07 Q14, DA076 F05/07 Q17, DA086 F07/07 Q17, DA101 F07/010 Q22, DA116 F07/10 Q22, DA126 F07/10 Q27, DA146 F10/12 Q27, DA161 F10/12 Q27, DA181 F10/12 Q36, DA201 F10/12 Q36, DA241 F14 Q46, DA271 F16 Q46, DA331 F16/25 Q55, DA421 F25 Q55, SR033 F03 Q09, SR051 F03/05 Q11, SR064 F05/07 Q14, SR076 F05/07 Q17, SR086 F07/07 Q17, SR101 F07/010 Q22, SR116 F07/10 Q22, SR126 F07/10 Q27, SR146 F10/12 Q27, SR162 F10/12 Q27, SR181 F10/12 Q36, SR201 F10/12 Q36, SR241 F14 Q46, SR271 F16 Q46, SR331 F16/25 Q55, SR421 F25 Q55, 033 F03 Q09, 051 F03/05 Q11, 064 F05/07 Q14, 076 F05/07 Q17, 086 F07/07 Q17, 101 F07/010 Q22, 116 F07/10 Q22, 126 F07/10 Q27, 146 F10/12 Q27, 161 F10/12 Q27, 181 F10/12 Q36, 201 F10/12 Q36, 241 F14 Q46, 271 F16 Q46, 331 F16/25 Q55, 421 F25 Q55, 032 F03 Q09, 050 F03/05 Q11, 063 F05/07 Q14, 075 F05/07 Q17, 085 F07/07 Q17, 100 F07/010 Q22, 115 F07/10 Q22, 125 F07/10 Q27, 145 F10/12 Q27, 160 F10/12 Q27, 180 F10/12 Q36, 200 F10/12 Q36, 240 F14 Q46, 270 F16 Q46, 330 F16/25 Q55, 420 F25 Q55,

All documents posted on our website supersede all prior publications • [Document #SVF_NEXUS-LX_Data_Sheet • 06/11/2013]
© HengTaiXun Controls, Inc. • Tel: +86-755-25689486 • FAX: +86-755-25150978
www.maxsti.com abc@maxsti.com • Specifications subject to change.